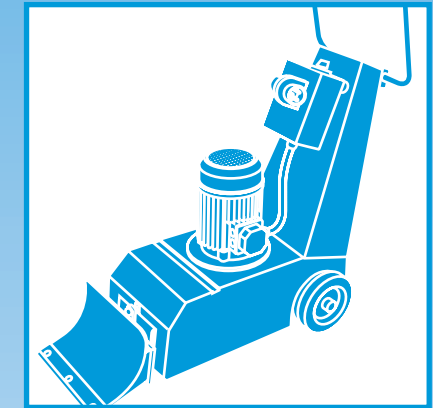


HSS Hire Shops



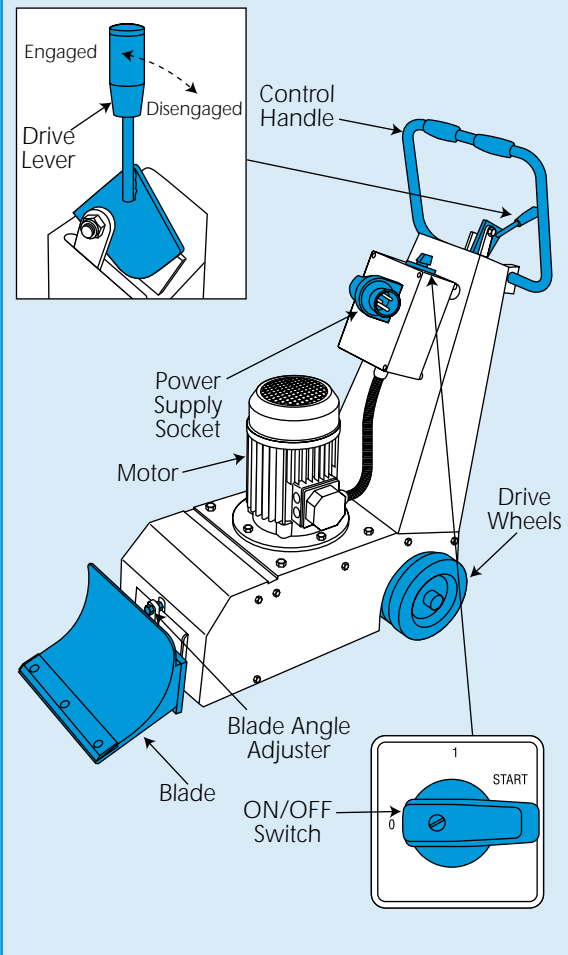
Powered Tile Stripper

A self-propelled heavy-duty machine for stripping floor tiles and carpet.



Code 58421

Model 2



The angle of the blade can be adjusted to suit the application. To adjust, loosen the lock nut, turn the adjuster nut as required then tighten the lock nut.

Both Models...

If taking up linoleum, sheet vinyl or heavily fixed carpet it is advised to either cut or scribe the surface in strips to the same width of the blade before starting.

Line up the machines blade with the edge of the first tile and switch the unit ON.

To drive the unit forward simply squeeze in the drive lever. The unit will move forward at a gentle pace, working into the tiles.

Guide the machine as necessary until it has either chipped away or raised the chosen run of tiles.

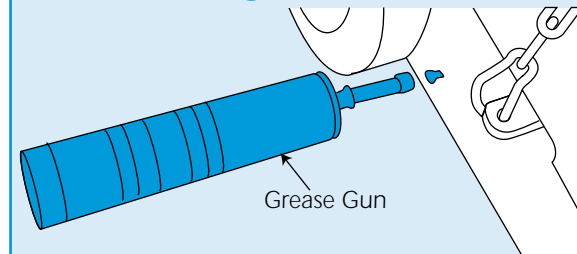
Tackle neighbouring tiles in the same way, cleaning up as you go until the entire floor is clear.

On concrete, residual adhesive should be removed with a floor scarifier, available for hire from your local HSS Hire Shop.

EQUIPMENT CARE

Never push the equipment beyond its design limits. If it will not do what you want with reasonable ease and speed, assume you have the wrong tool for the job. Contact your local HSS Hire Shop for advice.

Lubricating the Blade Ram



After using either model to remove 500 square metres, (long term hire only) use the grease gun provided to lubricate the blade rams.

Keep the equipment clean – you will find this less of a chore if you clean it regularly, rather than wait until the end of the hire period.

When not in use, store the equipment somewhere clean, dry and safe from thieves.

FINISHING OFF

Release the drive lever and switch the unit OFF.

Unplug the unit then neatly coil its power supply cable and give the unit a final clean up ready for return, to your local HSS Hire Shop.



...any comments?

If you have any suggestions to enable us to improve the information within this guide please fax your comments or write to the Product Manager at the address below

Fax: 020 8687 5001

©HSS Hire Service Group Plc 2000 No. 875/02

Group Office: 25 Willow Lane, Mitcham, Surrey CR4 4TS

Web Site: <http://www.hss.co.uk>

GENERAL SAFETY

For advice on the safety and suitability of this equipment contact your local HSS Hire Shop.


There is a serious risk of personal injury if you do not follow all instructions laid down in this guide.


The hirer has a responsibility to ensure that all necessary risk assessments have been completed prior to the use of this equipment.


This equipment should only be used by an operator who has been deemed competent to do so by his/her employer.


This equipment should be used by an able bodied, competent adult who has read and understood these instructions. Anyone with either a temporary or permanent disability, should seek expert advice before using it.


Keep children, animals and bystanders away from the work area. Cordon off a NO GO area using cones and either barriers or tape, available for hire from your local HSS Hire Shop.

 Never use this equipment if you are ill, feeling tired, or under the influence of alcohol or drugs.

 Safety goggles MUST be worn by everyone in the work area.

 This equipment generates potentially harmful noise levels. To comply with health and safety at work regulations, ear defenders must be worn by everyone in the vicinity.

 Wear practical, protective clothing, gloves and footwear. Avoid loose garments and jewellery that could catch in moving parts, tie back long hair.

 This equipment is very heavy, 140kg when fitted with its pressure weight, never attempt to lift the unit on your own always get sufficient help or use suitable lifting equipment.

Always switch OFF the equipment when not in use.

Take all necessary precautions to protect yourself and others against the possibility of contracting infectious diseases in your work environment.

Ensure the work area is well lit and ventilated, if in doubt, ask about lighting and ventilation equipment at your local HSS Hire Shop.

Do not work near flammable gases or liquids, petrol or paint thinner fumes for example. Keep combustible materials at a safe distance - at least 5m.

Make sure you know how to switch this machine OFF before you switch it ON in case you get into difficulty.

Never carry, lift or pull the equipment by its power supply cable.

Always disconnect the machine from its power supply before making adjustments to it. Check that you have removed all hex keys before restarting.

Having switched OFF, always wait for moving parts to come to rest.

Check the condition of the equipment before use. If it shows signs of damage or excessive wear, return it to your local HSS Hire Shop.

ELECTRICAL SAFETY


The HSS Powered Tile Stripper must be provided with a suitable 32a 110v generated supply, or powered from the mains via a suitable 5kVA 110v transformer.

If the equipment fails, or if its power supply cable or plug becomes damaged, return it. Never try to repair it yourself.

Keep cables out of harms way, and clear of the work area.

Extension leads should be fully unwound and loosely coiled, away from the equipment. Never run them through water, over sharp edges or where they could trip someone.

Keep the equipment dry, using electrical equipment in very damp or wet conditions can be dangerous.

 To reduce the risk of electric shock, use a suitable RCD (Residual Current-Operated Device) available from your local HSS Hire Shop.

Ensure the machine and the power supply socket are switched OFF before plugging into the power supply.

GETTING STARTED

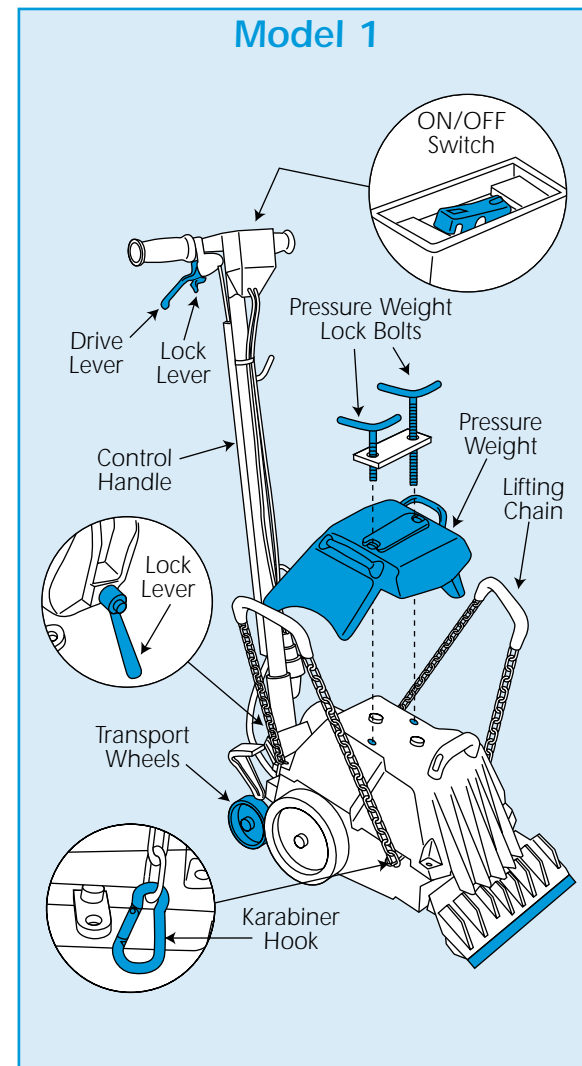
If the unit has been unloaded from any delivery vehicle, tilt the machine back onto its transport wheels and move the unit to the work area.

Model 1...
If the unit needs to be lifted, unscrew the 2 pressure weight lock bolts, and with help, remove the weight.

Use the 2 lifting chains to attach to any lifting equipment or if lifting manually, ensure enough people are available to help.

Once in position, replace the pressure weight and lock in position with the lock bolts.

Remove the lifting chains (they clip on using simple karabiner hooks) and place somewhere safe.



Both Models...
The blade should already be fitted, if however it is not, lay the unit back and have a helper hold it down.

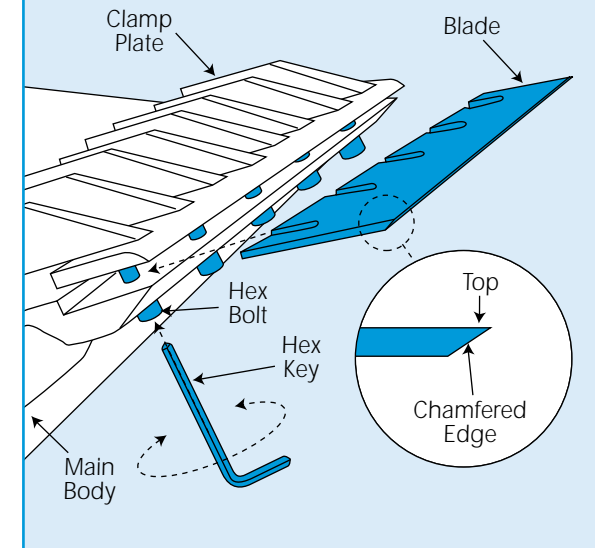
Using the Hex key provided, loosen the 3 or 5 hex bolts (depending upon model) until the clamp plate is loose, do not remove the bolts.

Wearing suitable protective gloves, slide the blade, with its chamfered edge facing down, into the gap between the clamp plate and main body.

Ensure the blades slots align with the hex bolt shafts.

Push the blade back as far as it will go and tighten up all 3 or 5 hex bolts, then return the unit upright.

Fitting the Blade



BASIC TECHNIQUES

Model 1...
To switch the unit ON, move the ON / OFF switch to the 'I' position. To switch OFF move the ON / OFF switch to the 'O' position.

Adjust the angle of the control handle to suit your height, Turn the lock lever anti-clockwise to loosen and clockwise to tighten.

To drive the unit forward simply squeeze in the drive lever. The unit will move forward at a gentle pace, working into the tiles. Where the run is long, the drive lever can be locked in position using the lock lever.

Model 2...
Before starting the unit, ensure the drive lever is in the disengaged position, move the lever back to disengage and forward to engage.

To switch the unit ON, move the ON / OFF switch beyond the 'I' position to the START position and hold until the motor reaches normal speed. Once running, return the switch to the 'I' position.. To switch OFF move the ON / OFF switch to the 'O' position.

Adjust the angle of the control handle to suit your height, turn the lock lever anti-clockwise to loosen and clockwise to tighten.

To drive the unit simply move the drive lever forward. The unit will move forward at a gentle pace, working into the tiles.