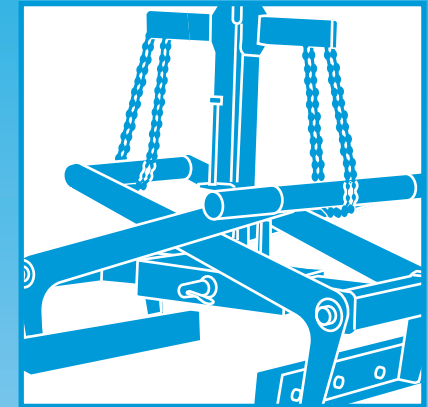


HSS Lift & Shift

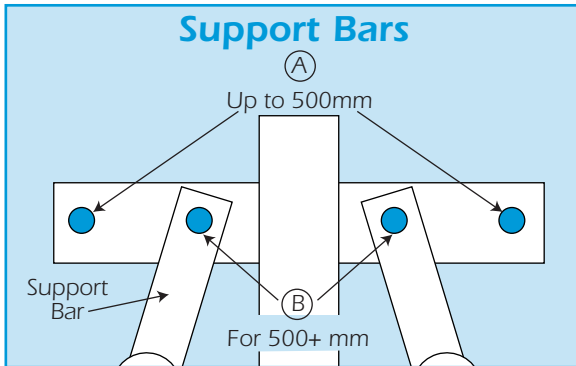


Concrete Step & Block Grabs

Scissor-action grabs designed to lift a variety of kerbstones or pre-cast concrete sections.



Code 69249/50/59/60



Lock in place with the lock pin, ensuring the clip is correctly replaced.

For loads up to 500mm wide, the support bars should be located in position 'A' (see illustration). Where the load is greater than 500mm, the support bars should be located in position 'B'.

The support bars are held in place with lock pins and clips in exactly the same way as the central bar.

Ensure that both sides of the grab have been adjusted equally, otherwise the load will not be suspended correctly.

Whichever you are using...

With the jaws set at the correct width, check that the grip pads are clean and grease free.

The grab should now be ready to use.

BASIC TECHNIQUES

Crush Hazard

Because the grab relies on a crushing force to grip the load and the heavier the load the greater the crushing force, soft material such as building blocks or green concrete may be damaged and become unsafe during the lift. Carefully inspect the load and make sure it can withstand such forces before you attempt to lift it.

Raise the grab and lower over the load and insert to the full depth of the grab's throat. The grab is fitted with an automatic lock and release mechanism.

Position the grab so the load will be evenly balanced.

Lift the load until it is clear of the ground, then move it to where it is required and lower gently. The load should not be suspended at a great height as the grab is designed to aid manoeuvring the load into position and not for raising loads to a greater level.

Always position yourself so you can control the grab while staying clear of the suspended load.

When the load is lowered, the grab's jaws will automatically open to allow it to be lifted clear. When placed over the next load, the jaws will again close onto the load.

Take your time and don't overdo it. You are more likely to have an accident if you are tired or rushing.

EQUIPMENT CARE

Never push the equipment beyond its design limits. If it will not do what you want with reasonable ease and speed, assume you have the wrong tool for the job. Contact your local HSS Lift & Shift Depot for advice.

Keep the equipment clean, you will find this less of a chore if you clean it regularly, rather than wait until the end of the hire period.

When not in use, store the equipment somewhere clean, dry and safe from thieves and unauthorised users.

FINISHING OFF

Gently lower the load and move the grab onto a firm surface. Detach the grab from the lifting equipment then give the Lift a final clean up ready for return to your local HSS Hire Shop.



...any comments?

If you have any suggestions to enable us to improve the information within this guide please fax your comments or write to the Product Manager at the address below

Fax: 020 8687 5001

©HSS Hire Service Group Plc 1999 No. LS67/01

Group Office: 25 Willow Lane, Mitcham, Surrey CR4 4TS

Web Site: <http://www.hss-liftandshift.co.uk>


GENERAL SAFETY




For advice on the safety and suitability of this equipment contact your local HSS Lift & Shift Depot.


There is a serious risk of personal injury if you do not follow all instructions laid down in this guide.


This equipment is designed to be used by an able bodied, competent adult who has read and understood these instructions. Anyone with either a temporary or permanent disability should seek expert advice before using it.

Keep children, animals and bystanders away from the work area. Cordon off a NO GO area using cones and either barriers or tape, available for hire from your local HSS Lift & Shift Depot.

 Never use this equipment if you are ill, feeling tired, or under the influence of alcohol or drugs.

   Wear practical, protective clothing, gloves, footwear and a protective hard hat. Avoid loose garments and jewellery that could catch in moving parts, tie back long hair.

 Use this equipment for vertical lifts only and use on a level area able to take the combined weight of the load and the equipment.

 Ensure the load is balanced, stable and that personnel stand clear of the raised load.

Make sure you know how to operate this equipment safely and are aware of its limitations before you use it.

It is both the hirer's and the operator's responsibility to perform a risk assessment before using this equipment. You are also responsible for the safety of any person in the work area.

Make sure that anyone in the immediate work area is warned of what you are doing.

Never use the grab near overhead power lines or similar hazards.

Be aware of the raised load when close to ceilings or other overhead obstructions.

Do not shock load this equipment.

Never leave the equipment loaded or unattended.

Make sure the landing area is unobstructed and able to accept the load in size and weight.

Safety Warning

This equipment **MUST NOT** be used to carry or lift personnel.

Never exceed the equipment's safe working load or jaw capacity (see chart).

Comm Code	SWL	Jaw Capacity
69249	350kg	200 – 550mm
69250	350kg	100 – 380mm
69259	900kg	200 – 600mm
69260	3,000kg	100 – 800mm

Check the condition of the equipment before use. If it shows signs of damage or excessive wear, return it to your local HSS Lift & Shift Depot.

GETTING STARTED

Take the unit to the area where it is required and double check the following...

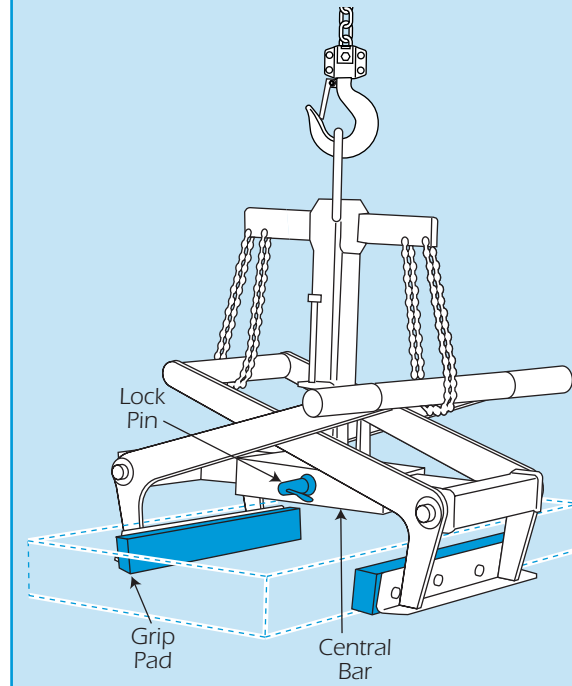
The grab you have hired is rated at the correct SWL required for the job.

The grab has a sufficient size jaw opening for the item being lifted (see chart).

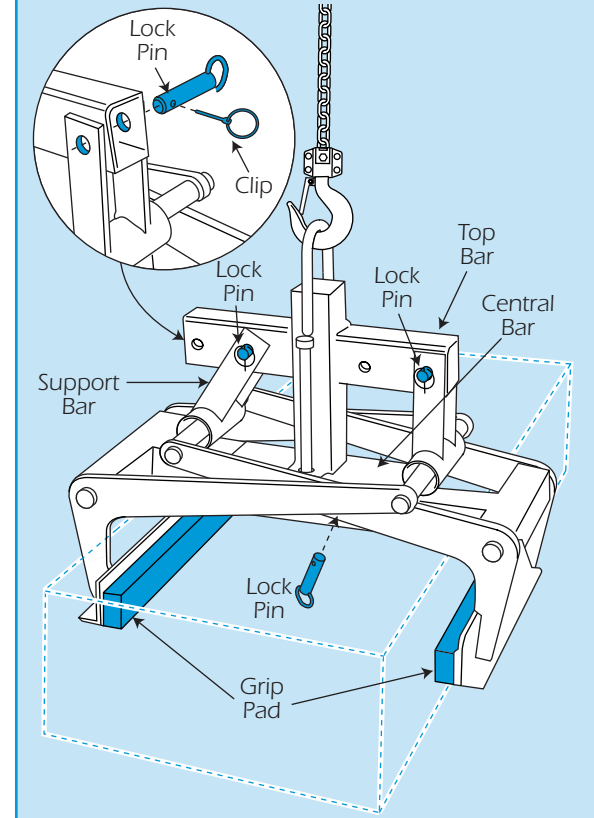
The lifting equipment has been tested and is capable of supporting the grab and its load.

Attach the grab to the lifting equipment's hook and ensure the hook's gate is correctly closed.

Chain Grab



Mechanical Grab



Adjust the grab's jaws to accommodate the item being lifted. To do this, the grab must be resting on the ground.

There are two types of grab, a chain operated version which has only one adjustment, and a mechanical version which requires up to three adjustments.

If using the chain version...

Release both lock pins by turning 90° clockwise, this will release central bar from the jaws. Slide the jaws in or out as necessary until the grip pads are 5cm wider than the load.

Ensure that both sides of the grab have been adjusted equally, otherwise the load will not be suspended correctly.

Lock in place by turning the lock pins back, ensuring they are correctly located.

If using the mechanical version...

Remove the clip followed by the lock pin from the central bar then slide the jaws in or out as necessary until the grip pads are 5cm wider than the load.